



## Window and Lintel Details

### Window openings

This 'Get it Right' illustrates some typical examples of detailing around window openings, and also looks at basic methods of support for brickwork over openings using lintels.



### Setting Out

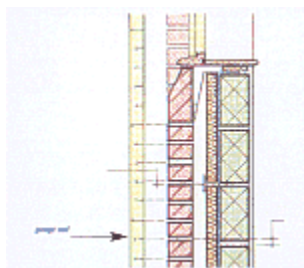
All window opening positions and 'reveal' brick locations should be determined when setting out the first few courses of brick, at the lowest practicable level, before actual bricklaying begins.



Careful setting out to determine the brick bond pattern is important. The example left shows '**Broken bond**' as a result of setting out to achieve symmetry of reveal bricks } **Three Quarter Bat** and '**Half Bat**' specials have been used on alternate courses.

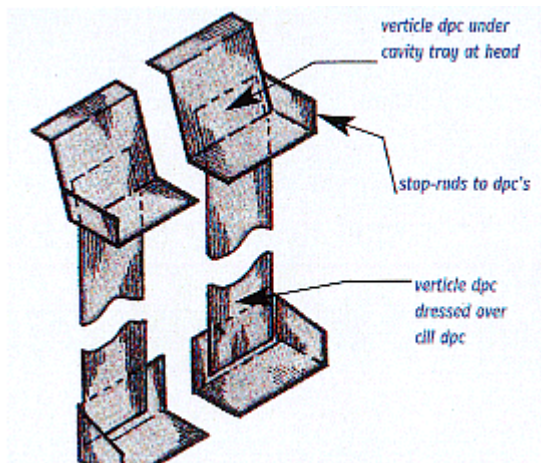
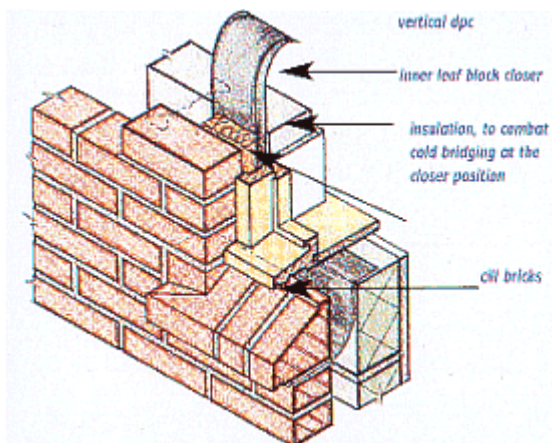


'**Reverse bond**' as shown left, may be used as an alternative to '**Broken bond**'. Contrasting coloured reveal bricks however, as a decorative feature, may make this unacceptable.

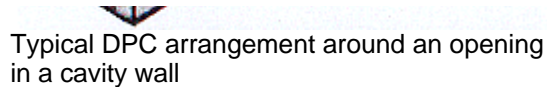


An example of brickwork **not** built to gauge, with varying thicknesses to the bed joints. A gauge rod should **always** be used to maintain course levels and to avoid difficulties in fixing the frame.

### DPC installation at window and door openings



The vertical dpc should project into the cavity beyond the closer position by a minimum of 25mm and should be adequately built in to the window or door frame rebate.

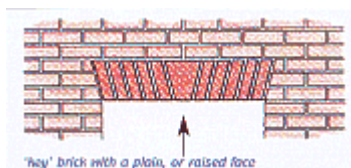


(diagrammatic-basic principles)

## Detailing around openings

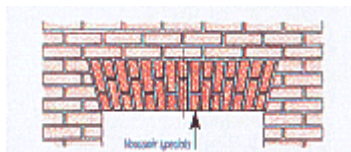
Window and door openings provide the designer with an opportunity to enhance the brickwork by the use of special shaped bricks to heads, jambs and cills. Some examples of the possible application of specials in these areas are shown below.

### Window Heads



#### Ibstock "Easy Arch"

A simple and versatile concept, ideally suited to housing projects. A series of inclined special bricks, either side of a 'Key' brick. The arrangement may be simply supported on a proprietary lintol.



#### A 'Bonded' Flat Arch

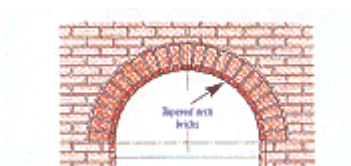
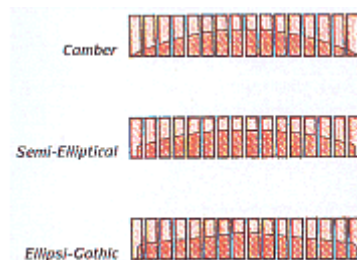
Note: 'Voussoir' special bricks (tapered arch bricks) may be made in one piece with false joints for post assembly pointing. Check availability with your Ibstock sales office.

### Ibstock Westbrick Sculptured Segmental Arches

These are produced in three styles as shown.

They comprise a series of sculptured 'soldier' bricks, which produce a 'shadow' area below the profile line. This gives the impression of a traditionally constructed arch, but with no cutting of bricks necessary.

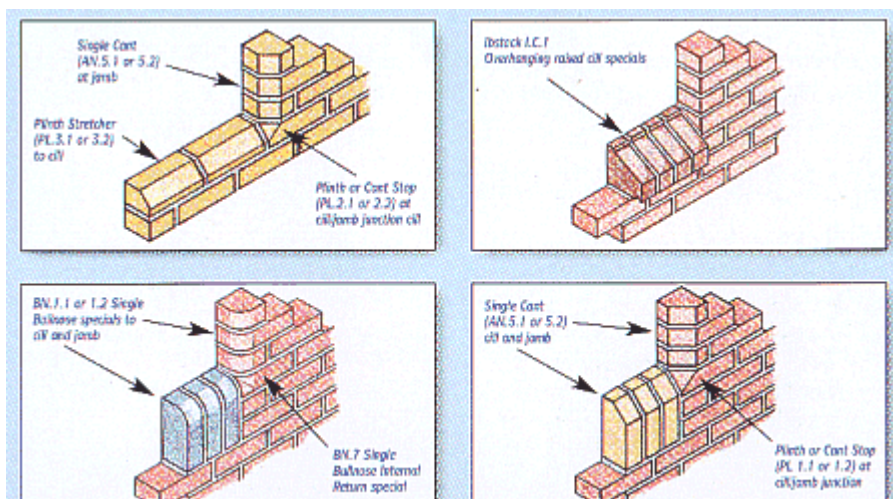
They may all be supported off a proprietary lintol.



#### Semi-Circular Arch Window Head

These are built with either British Standard or purpose made tapered arch bricks.

### Jambs and Cills





Specials shown could be in a contrasting colour to the main brick, for more visual impact. It is recommended that the mortar joint profile, between the cill bricks, is a flush or bucket handle style, together with the first horizontal joint below, even if an alternative style is adopted generally elsewhere.

### Support over openings

It is a requirement of the Building Regulations, that adequate means of support for the superstructure should be provided over every opening or recess in a wall. The simplest method of support, is by means of a lintol.

A typical combined lintol application.  
Note DPC's omitted for clarity.

